



disano 
illuminazione
www.disano.it



Braies
CCT / POWER SWITCH

Disano's innovative solution for lighting historic town centres while preserving local flora and fauna



Eco-friendly street lighting



Cities aspire to be more liveable for residents and visitors by becoming increasingly more attentive to the quality of public lighting. To achieve this new form of urban decor in the best possible way, Disano presents different families of luminaires that can meet the needs of both big cities and small towns. Among these products, **BRAIES** holds a special place. Characterised by a high level of versatility, this innovative luminaire is designed for new urban routes, providing pedestrians and cyclists with more light and safety. The functional design also allows excellent distribution of the light flux and proper heat dissipation, lengthening the system's service life.

BRAIES IS THE IDEAL PRODUCT FOR THE LIGHTING OF PARKS AND RESIDENTIAL AREAS: in a single body frame, you have a fully equipped luminaire designed to meet any need, including the possibility to select the desired colour temperature in 4 power wattages, maintaining aesthetic continuity and differentiating the amount of light emitted. It is an excellent fixture for the lighting of parks and green areas, ideal for urban settings in which you need to achieve high energy savings and excellent light quality.



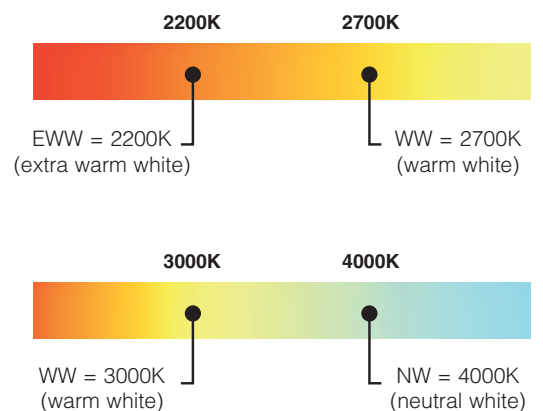
CCT SWITCH = with this integrated switch you can select the desired light colour, 2200K-2700K and 3000K-4000K.

POWER SWITCH = with this integrated switch you can select the fixture's total wattage, 15W-20W-25W-29W or 34W-42W-49W-59W.



The main feature of this fixture is the new colour-changing technology. With **two built-in switches** positioned on housing of the fixture, you can:

- select 4 different colour temperatures, adjusting to most installations:



- select the type of luminous flux with 4 output power ranges :

LOW	MEDIUM	HIGH
15W	20W - 25W	29W
34W	42W - 49W	59W



BRAIES (art. 1587-1588) is available as standard with a **2200K** and **2700K** colour temperature to reproduce a cosy ambient light associated with sunset. In this way, the artificial light becomes a less invasive element in the environment, **respecting the needs of the surrounding flora and fauna**.

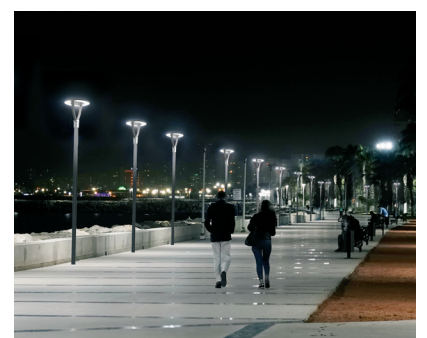
Research has shown that different types of lighting can significantly impact nocturnal insects, birds and other creatures that play a vital role in local ecosystems. Environmental organisations are increasingly calling for this aspect to be properly considered in the design of new lighting systems. Modern LEDs, with a reduced blue light component, provide an opportunity to create less disruptive lighting in streets or parking areas near green spaces, while offering better protection for local wildlife.

**2200K
2700K** **2200K - 2700K:** lamps with warm light at a colour temperature of 2200K-2700K *reduces the risks of an excessive exposure to harmful blue LED light* and allows a "softer" impact on inhabited zones, such as in historic centres.



BRAIES comes with colour temperatures of **3000K** and **4000K**. It is ideal for urban spaces such as public parks, squares, and historic town centres that require an illumination that enhances architectural features while ensuring pedestrian safety, visual comfort, and minimising light pollution.

**3000K
4000K** **3000K - 4000K:** lamps with 3000K-4000K white light, instead, is the best choice for lighting up urban areas, streets, residential centres and generally all areas where this type of light guarantees greater safety and visual comfort.





2200K
2700K

3000K
4000K

Housing/cover: made of die-cast aluminium.

Pole connection: pressed in die-cast aluminium. Suited for poles with a diameter 60 mm.

Diffuser: in transparent, vandal-resistant and V2 self-extinguishing polycarbonate, UV-stabilized.

Optics: made of PMMA with high temperature resistance and UV rays.

Coating: the standard powder coating consists of a first metal surface pre-treatment stage and of single layer of UV-stabilised, corrosion and salt resistant polyester powder coating.

UNI EN ISO 9227 Upon request: coating for salty environments (seafront) in compliance with UNI EN ISO 9227.

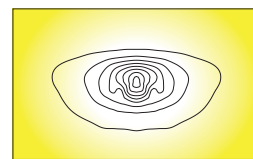
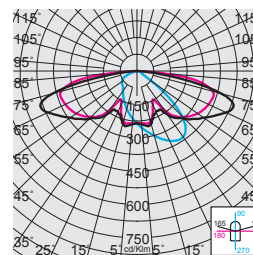
Standard supply: dedicated electronic device to protect the LED module. Supplied with waterproof connector for quick installation and complete with an air-circulation valve; external screws and bolts in stainless steel. Supplied standard with double switch to choose the colour temperature between 2200K-2700K and 3000K-4000K and the type of lighting for up to 4 lighting levels



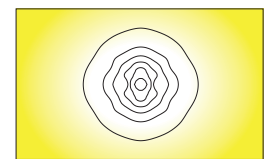
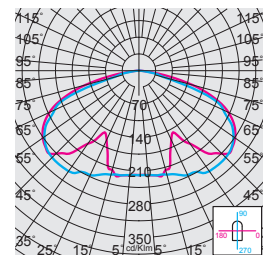
The optical system developed for the **BRAIES** lamps provides an extremely comfortable and glare-less lighting, allowing the fixture to blend in well with different urban settings (secondary roads, pedestrian crossings, bicycle routes) and residential areas.

The **BRAIES** family of streetlights is available with **rotosymmetric** and **asymmetric** photometric distributions; versions that offer the highest level of performance capable of meeting all outdoor lighting needs. With its high-precision optics, it ensures greater flexibility and top light quality.

ASYMMETRIC



ROTSYMMETRIC



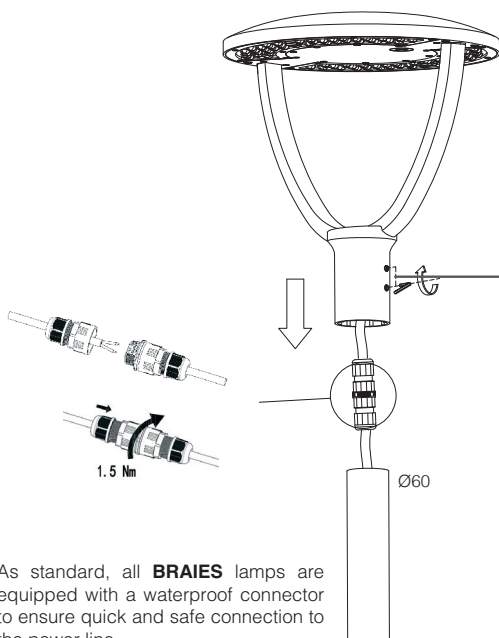
NO LIGHTING POLLUTION

luminous intensity ≤ 0.49 cd/klm at $Y \geq 90^\circ$





BRAIES is designed to enable installers and designers to embellish any urban setting thanks also to its simple mounting. With the supplied central connector (h=90mm), the lamp can allow for pole top mounting on poles with a diameter of 60 mm. The connection to the power line is made through the supplied waterproof connector.

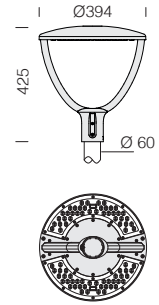


As standard, all **BRAIES** lamps are equipped with a waterproof connector to ensure quick and safe connection to the power line.



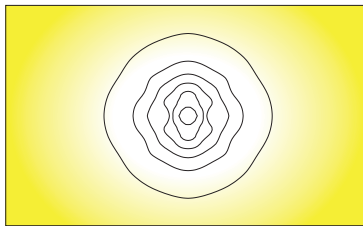
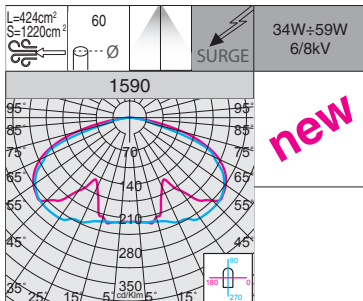


IP66IK10



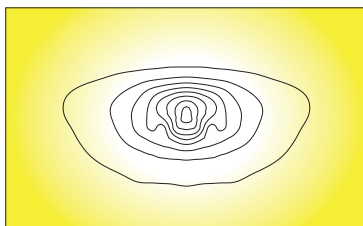
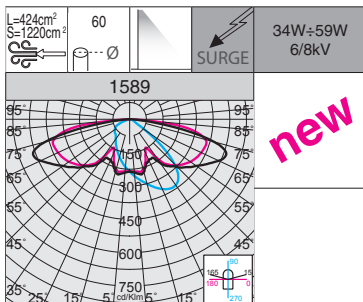
LED: power factor ≥ 0.9 .
Luminous flux maintenance 80%:
100 000h (L80B20).

1590 Braies - CCT / POWER SWITCH - rotsymmetric



		CLD		LUMEN OUTPUT (tq= 25 °C)		
LED	colour	weight	code	W tot	K - ølm - CRI	
LED	RAL 7021	4.20	330509-00	34	2200K - 3852lm - CRI>80	
					2700K - 4335lm - CRI>80	
					42	2200K - 4758lm - CRI>80
					2700K - 5355lm - CRI>80	
					49	2200K - 5439lm - CRI>80
					2700K - 6247lm - CRI>80	
59	2200K - 6549lm - CRI>80					
	2700K - 7522lm - CRI>80					

1589 Braies - CCT / POWER SWITCH - asymmetric

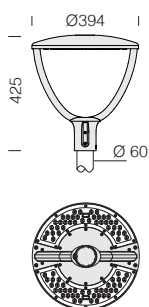


		CLD		LUMEN OUTPUT (tq= 25 °C)		
LED	colour	weight	code	W tot	K - ølm - CRI	
LED	RAL 7021	4.20	330508-00	34	2200K - 3852lm - CRI>80	
					2700K - 4335lm - CRI>80	
					42	2200K - 4758lm - CRI>80
					2700K - 5355lm - CRI>80	
					49	2200K - 5439lm - CRI>80
					2700K - 6247lm - CRI>80	
59	2200K - 6549lm - CRI>80					
	2700K - 7522lm - CRI>80					



2200K
2700K **BRAIES** is available as standard with a **2200K** and **2700K** colour temperature to reproduce a cosy ambient light associated with sunset. In this way, the artificial light becomes a less invasive element in the environment, **respecting the needs of the surrounding flora and fauna.**

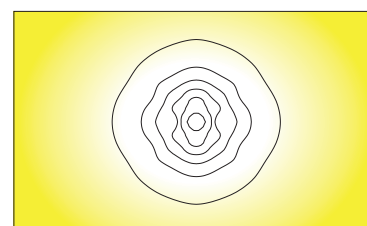
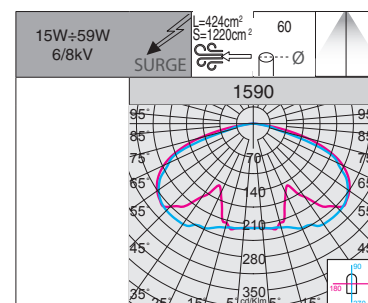
IP66IK10 □



LED: power factor ≥ 0.9 .
Luminous flux maintenance 80%:
100 000h (L80B20).

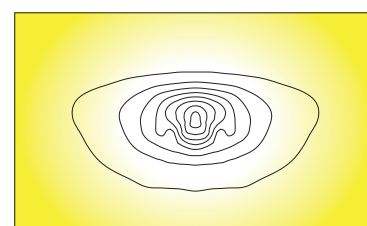
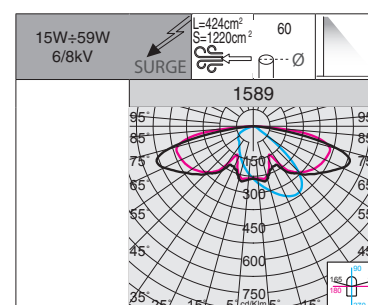
1590 Braies - CCT / POWER SWITCH - rotosymmetric

LED	colour	weight	CLD code	W tot	LUMEN OUTPUT (tq= 25 °C)	
					K - ϕ lm - CRI	
LED	RAL 7021	4.20	330500-00	15	4000K - 2091lm - CRI>80	3000K - 1986lm - CRI>80
					4000K - 2788lm - CRI>80	3000K - 2648lm - CRI>80
				20	4000K - 3484lm - CRI>80	3000K - 3310lm - CRI>80
					4000K - 4042lm - CRI>80	3000K - 3840lm - CRI>80
				25	4000K - 4930lm - CRI>80	3000K - 4708lm - CRI>80
					4000K - 6090lm - CRI>80	3000K - 5816lm - CRI>80
				29	4000K - 7105lm - CRI>80	3000K - 6785lm - CRI>80
					4000K - 8555lm - CRI>80	3000K - 8170lm - CRI>80
LED	RAL 7021	4.20	330500-00002431	34	4000K - 2091lm - CRI>80	3000K - 1986lm - CRI>80
					4000K - 2788lm - CRI>80	3000K - 2648lm - CRI>80
				20	4000K - 3484lm - CRI>80	3000K - 3310lm - CRI>80
					4000K - 4042lm - CRI>80	3000K - 3840lm - CRI>80
				25	4000K - 4930lm - CRI>80	3000K - 4708lm - CRI>80
					4000K - 6090lm - CRI>80	3000K - 5816lm - CRI>80
				29	4000K - 7105lm - CRI>80	3000K - 6785lm - CRI>80
					4000K - 8555lm - CRI>80	3000K - 8170lm - CRI>80



1589 Braies - CCT / POWER SWITCH - asymmetric

LED	colour	weight	CLD code	W tot	LUMEN OUTPUT (tq= 25 °C)	
					K - ϕ lm - CRI	
LED	RAL 7021	4.20	330505-00	15	4000K - 2091lm - CRI>80	3000K - 1986lm - CRI>80
					4000K - 2788lm - CRI>80	3000K - 2648lm - CRI>80
				20	4000K - 3484lm - CRI>80	3000K - 3310lm - CRI>80
					4000K - 4042lm - CRI>80	3000K - 3840lm - CRI>80
				25	4000K - 4930lm - CRI>80	3000K - 4708lm - CRI>80
					4000K - 6090lm - CRI>80	3000K - 5816lm - CRI>80
				29	4000K - 7105lm - CRI>80	3000K - 6785lm - CRI>80
					4000K - 8555lm - CRI>80	3000K - 8170lm - CRI>80
LED	RAL 7021	4.20	330506-00	34	4000K - 2091lm - CRI>80	3000K - 1986lm - CRI>80
					4000K - 2788lm - CRI>80	3000K - 2648lm - CRI>80
				20	4000K - 3484lm - CRI>80	3000K - 3310lm - CRI>80
					4000K - 4042lm - CRI>80	3000K - 3840lm - CRI>80
				25	4000K - 4930lm - CRI>80	3000K - 4708lm - CRI>80
					4000K - 6090lm - CRI>80	3000K - 5816lm - CRI>80
				29	4000K - 7105lm - CRI>80	3000K - 6785lm - CRI>80
					4000K - 8555lm - CRI>80	3000K - 8170lm - CRI>80



3000K
4000K **BRAIES** is available as standard with **3000K** and **4000K** colour temperatures, and with a **2200K** and **2700K** colour temperature to reproduce a cosy ambient light associated with sunset. In this way, the artificial light becomes a less invasive element in the environment, respecting the needs of the surrounding flora and fauna.





281 - 1



Disano illuminazione S.p.A.
Viale Lombardia, 129
20089 Rozzano - Milano
centralino: 02 82 47 71
email: info@disano.it
customerservice@disano.it
web: www.disano.it



www.disano.it

