

MADRID



Madrid is a versatile lighting system that can be easily assembled, offering a wide range of configurations to suit any interior, from retail spaces and cultural venues to reception and hospitality facilities.

Madrid is a linear LED luminaire that stands out for the quality of its materials, cutting-edge technology, and high efficiency.

The result is an incredibly high-performance lighting output, capable of delivering high colour rendering for workers' eye safety, ensuring great visual well-being.

Madrid, which can be mounted onto ceilings, recessed or as a pendant, adapts to all kinds of functional and design requirements.



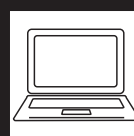


- **Improved visual comfort:** reducing direct glare and disturbing reflections helps prevent eye strain, eye irritation, and headaches. Madrid ensures high standards of visual comfort and limits glare in indoor environments intended for work and study, such as offices, classrooms, and libraries, thereby improving users' operating conditions.
- **Enhanced concentration and productivity:** uniform, glare-free lighting on screens, documents, and work surfaces supports sustained attention and improves work performance in environments dedicated to continuous activities.

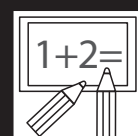


- **Operational quality and safety:** effective glare control enhances visibility and accuracy, helping to reduce errors and increase safety, particularly in technical and detail-oriented tasks.

OFFICES



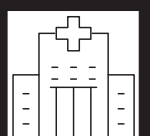
SCHOOLS



ART AND
CULTURE



HEALTHCARE
ENVIRONMENTS





- **Circulation and service areas:** corridors, entrance halls, stairways, and transit areas are ideal locations for this application, as people generally spend only limited periods of time in these spaces.

- **Industrial environments and warehouses:** in storage or production areas where continuous visually demanding tasks are not performed, Madrid solutions prove to be highly satisfactory.



- **Commercial spaces and reception areas:** entrances, showrooms, and retail stores often employ higher lighting levels to enhance the environment and draw attention to displayed products.

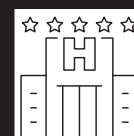
OPEN SPACES



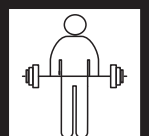
SHOPPING



HOTEL



FITNESS



GENERAL CHARACTERISTICS

Housing: extruded aluminium complete with end caps.

Diffuser: opal/prismatic polycarbonate..

Coating: polyester resin-based powder coating, UV stabilised.

Équipement: supplied standard, versions complete with mounting brackets for installation as as pendant lamps (acc. 2518-2522 suspensions to be purchased separately) and as ceiling fixtures.

OTHER CHARACTERISTICS

Version equipped with

- opal polycarbonate diffuser ideal for installations in common areas or general room such as homes, hotels, sleeping rooms...
- UGR<19 prismatic polycarbonate diffuser ideal for installations in schools or offices with VDU terminals



Available version with:

- emergency wiring CLD E with sub-code -07.
- emergency wiring with centralized power supply CLD EC with sub-code -0050.

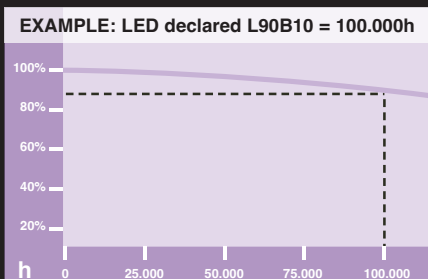
UPON REQUEST

- pass-through wiring for continuous line modules with subcode -0072: supplied without diffusor, which should be purchased separately (acc. 6076), ideal for continuous and uninterrupted "ALL LIGHT" lines.

- black colour version

LIFE EXPECTANCY

The decrease of LED flux is defined by the working life and is represented by the L90 mark (see chart), which means that the flux is kept up to 90%. The "B" letter followed by a number ranging between 10 and 50 indicates the quality of the fixture and defines the LED percentage that keeps the declared characteristics when it reaches 100,000 working hours.



LED: power factor: $\geq 0,92$.

Luminous flux maintenance 80%: 80.000h (L80B10).

Luminous flux maintenance 90%: 50.000h (L90B10).

Photobiological safety class: exempt group

ENEC is a European Mark that demonstrates that Ischia fixture is compliant with applicable European safety standards and was manufactured by a company that applies a Quality System according to ISO 9000.

= pending approval.

CERTIFICATIONS



The IK code indicates the fixture's degree of protection against mechanical impact and determines the degree of protection provided by the electrical equipment's enclosures against these impacts (EN 50102 - NF 20-015).

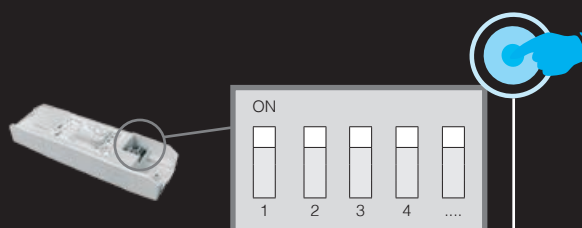
IK LEVEL OF PROTECTION



Flicker is a common issue with LED lamps. It can occur at frequencies below 60 Hz and depends on several factors, such as the ripple emitted by drivers.

Product with a very low flicker; uniform light for greater eye protection.

LOW FLICKER



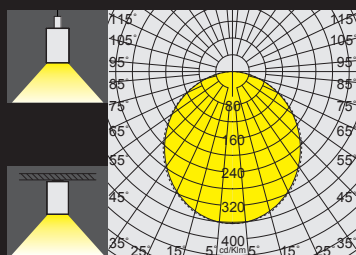
The fixture comes with a *DIP SWITCH* driver for **THE SETTING OF THE OUTPUT CURRENT**.

In this way you, can **ENSURE THE BEST LUMINOUS FLUX** for any lighting design.

The possibility to choose the correct drive current for LEDs will allow you to have the right power under specific design conditions. Using a lower current will improve the efficiency of fixtures and therefore increase energy savings, whilst a higher current will result in a higher light flux so that you can reduce the number of fixtures.

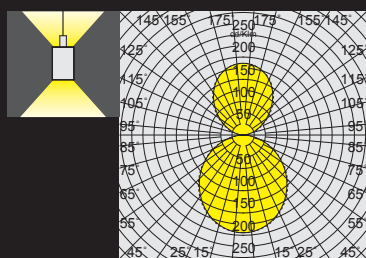
DIP SWITCH SETTING:

**ADAPT THE CURRENT TO
ACHIEVE
OPTIMAL LUMINOUS FLUX**



6633 - opal diffuser

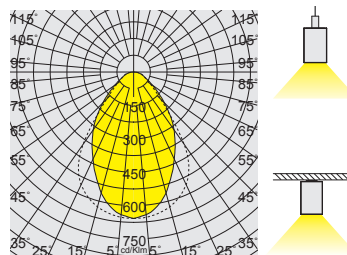
Version with **opal polycarbonate** roll diffuser ideal for installations in common areas or general room such as homes, hotels, sleeping rooms...



6634 - opal diffuser

Version with **opal polycarbonate** roll diffuser ideal for installations in common areas or general room such as homes, hotels, sleeping rooms...

Direct light

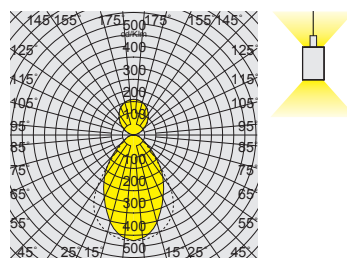


6633 - prismatic diffuser UGR<19



Version with **prismatic polycarbonate** roll diffuser ideal for installations in schools or offices with VDU terminals, environments that require a controlled lighting distribution and maximum visual comfort (UGR<19).

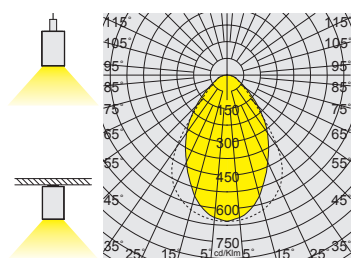
Direct/indirect light



Version with **prismatic polycarbonate** roll diffuser ideal for installations in schools or offices with VDU terminals, environments that require a controlled lighting distribution and maximum visual comfort (UGR<19).



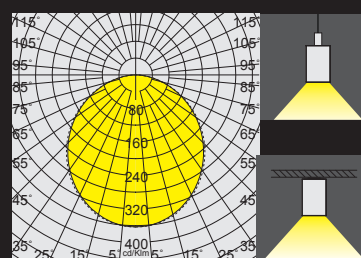
Infinity



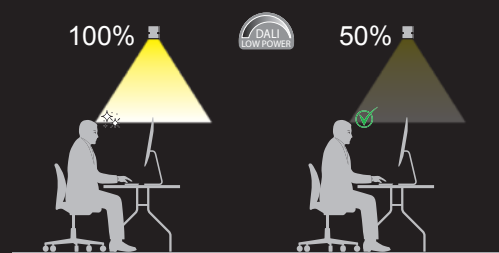
6638 - prismatic diffuser

"INFINITY" light module that enables continuous and uninterrupted light lines. To be completed with:

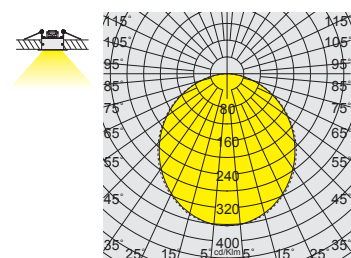
- **UGR<19 prismatic polycarbonate roll** diffuser ideal for installations in schools or offices with VDU terminals
- **opal polycarbonate roll** diffuser ideal for installations in common areas or general room such as homes, hotels, sleeping rooms...



6638 - opal diffuser



Recessed

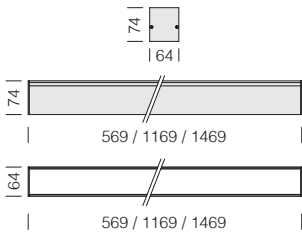


6631 - opal diffuser





IP40IK07



6633 Madrid - suspension/ceiling direct light - with opal diffuser

		CLD			LUMEN OUTPUT (tq= 25 °C)	
LED	housing	L (mm)	weight	code	W tot	K - ølm - CRI
LED	white	569	0.80	133090-00	11	4000K - 1138lm - CRI>80
		1169	1.40	133091-00	24	4000K - 2673lm - CRI>80
		1469	1.70	133092-00	31	4000K - 3259lm - CRI>80
		CLD D-D (DALI)			LUMEN SORTANT (tq= 25 °C)	
LED	white	569	0.80	133090-0041	11	4000K - 1138lm - CRI>80
		1169	1.40	133091-0041	24	4000K - 2673lm - CRI>80
		1469	1.70	133092-0041	31	4000K - 3259lm - CRI>80

6633 Madrid - EM 1h S.A. - suspension/ceiling direct light - with opal diffuser

		CLD E			LUMEN OUTPUT (tq= 25 °C)		% EM operation	
LED	housing	L (mm)	weight	code	W tot	K - ølm - CRI	h	%
LED	white	1169	1.90	133091-07	24	4000K - 2673lm - CRI>80	1h	16%
		1469	2.20	133092-07	31	4000K - 3259lm - CRI>80	1h	16%
		CLD D-DE			LUMEN OUTPUT (tq= 25 °C)		% EM operation	
LED	white	1169	1.90	133091-9441	24	4000K - 2673lm - CRI>80	1h	16%
		1469	2.20	133092-9441	31	4000K - 3259lm - CRI>80	1h	13%



6633 Madrid - EM EC - suspension/ceiling direct light - with opal diffuser

EM EC: with emergency wiring supplied by centralised power unit: permanent luminaire, with power supply unit operating in AC/DC, powered by a central emergency unit (NOT incorporated into the luminaire).

		CLD EC			LUMEN OUTPUT (tq= 25 °C)	
LED	housing	L (mm)	weight	code	W tot	K - ølm - CRI
LED	white	569	0.80	133090-0050	11	4000K - 1138lm - CRI>80
		1169	1.40	133091-0050	24	4000K - 2673lm - CRI>80
		1469	1.70	133092-0050	31	4000K - 3259lm - CRI>80



6633 Madrid - DIP SWITCH - suspension/ceiling direct light - with UGR<19 prismatic diffuser

		CLD			LUMEN OUTPUT (tq= 25 °C)	
LED	housing	L (mm)	weight	code	I out	W tot
LED	white	1169	1.40	133093-00	380	24

		DIP SWITCH SETTING		LUMEN OUTPUT (tq= 25 °C)	
I out	W tot	K - ølm - CRI		K - ølm - CRI	
200	*13	4000K - 1495lm - CRI>80		4000K - 1495lm - CRI>80	
260	*17	4000K - 1955lm - CRI>80		4000K - 1955lm - CRI>80	
380	24	4000K - 2760lm - CRI>80		4000K - 2760lm - CRI>80	

LED	white	1469	1.70	133094-00	500	31	4000K - 3450lm - CRI>80
-----	-------	------	------	-----------	-----	----	-------------------------

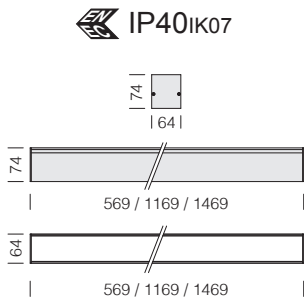
		LUMEN OUTPUT (tq= 25 °C)	
I out	W tot	K - ølm - CRI	
250	*16	4000K - 1785lm - CRI>80	
340	21	4000K - 2340lm - CRI>80	
500	31	4000K - 3450lm - CRI>80	

6633 Madrid - EM 1h S.A. - DIP SWITCH - suspension/ceiling direct light - with UGR<19 prismatic diffuser

		CLD E			LUMEN OUTPUT (tq= 25 °C)		% EM operation	
LED	housing	L (mm)	weight	code	W tot	K - ølm - CRI	h	%
LED	white	1169	1.90	133093-07	380	24	1h	16%
LED	white	1469	2.20	133094-07	500	31	1h	13%







6634 Madrid - suspension - direct/indirect light - with opal diffuser

		CLD				LUMEN OUTPUT (tq= 25 °C)
LED	housing	L (mm)	weight	code	W tot	K - ølm - CRI
LED	white	569	0.90	133095-00	21	4000K - 2036lm - CRI>80
		1169	1.60	133096-00	36	4000K - 3490lm - CRI>80
		1469	1.90	133097-00	54	4000K - 5080lm - CRI>80
		CLD D-D (DALI)				LUMEN OUTPUT (tq= 25 °C)
LED	white	569	0.90	133095-0041	21	4000K - 2036lm - CRI>80
		1169	1.60	133096-0041	36	4000K - 3490lm - CRI>80
		1469	1.90	133097-0041	54	4000K - 5080lm - CRI>80

Supplied standard with **separate switching function**.

6634 Madrid - suspension - direct/indirect light - with UGR<19 prismatic diffuser

		CLD				LUMEN OUTPUT (tq= 25 °C)
LED	housing	L (mm)	weight	code	W tot	K - ølm - CRI
LED	white	1169	1.60	133064-00	36	4000K - 3505lm - CRI>80
		1469	1.90	133065-00	54	4000K - 5101lm - CRI>80
		CLD D-D (DALI)				LUMEN OUTPUT (tq= 25 °C)
LED	white	1169	1.60	133064-0041	36	4000K - 3505lm - CRI>80
		1469	1.90	133065-0041	54	4000K - 5101lm - CRI>80

Supplied standard with **separate switching function**.

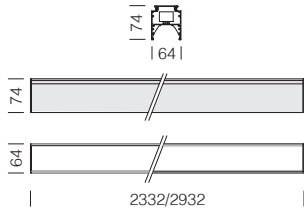


“INFINITY” light module that enables continuous and uninterrupted light lines. To be completed with:

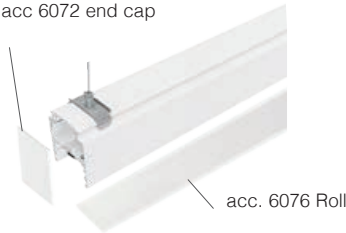
- end cap and brackets for continuous light line
- **UGR<19 prismatic polycarbonate roll diffuser** ideal for installations in schools or offices with VDU terminals
- **opal polycarbonate roll diffuser** ideal for installations in common areas or general room such as homes, hotels, sleeping rooms...



IP40IK07 * if complete with roll diffuser



To be completed with acc 6072 end cap



6638 Madrid "INFINITY" DIP SWITCH - suspension/ceiling - to be completed with roll diffuser

LED		color		L (mm)		weight		CLD		code		I out		W tot		**LUMEN OUTPUT (tq= 25 °C)		
																K - ølm - CRI		
LED	white	2332	3.50			133074-0072	490	30			4000K - 3310lm - CRI>80							
						133074-3972					3000K - 3145lm - CRI>80							
LED	white	2932	4.50			133075-0072	750	45			4000K - 4410lm - CRI>80							
						133075-3972					3000K - 4190lm - CRI>80							

**Lumen output with prismatic roll diffuser.

DIP SWITCH SETTING			LUMEN OUTPUT (tq= 25 °C)	
I out	W tot		K - ølm - CRI	
350	*22		4000K - 2400lm - CRI>80	
400	25		4000K - 2760lm - CRI>80	
490	30		4000K - 3310lm - CRI>80	

DIP SWITCH SETTING			LUMEN OUTPUT (tq= 25 °C)	
I out	W tot		K - ølm - CRI	
350	*22		3000K - 2280lm - CRI>80	
400	25		3000K - 2622lm - CRI>80	
490	30		3000K - 3145lm - CRI>80	

DIP SWITCH SETTING			LUMEN OUTPUT (tq= 25 °C)	
I out	W tot		K - ølm - CRI	
500	*29		4000K - 2840lm - CRI>80	
600	36		4000K - 3530lm - CRI>80	
750	45		4000K - 4410lm - CRI>80	

DIP SWITCH SETTING			LUMEN OUTPUT (tq= 25 °C)	
I out	W tot		K - ølm - CRI	
500	*29		3000K - 2698lm - CRI>80	
600	36		3000K - 3354m - CRI>80	
750	45		3000K - 4190m - CRI>80	

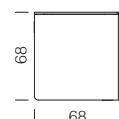
6638 Madrid "INFINITY" - EM EC - DIP SWITCH - suspension/ceiling to be completed with roll diffuser

EM EC: with emergency wiring supplied by centralised power unit: permanent luminaire, with power supply unit operating in **AC/DC**, powered by a central emergency unit (NOT incorporated into the luminaire).

LED		color		L (mm)		weight		CLD EC		code		I out		W tot		**LUMEN OUTPUT (tq= 25 °C)		
																K - ølm - CRI		
LED	white	2332	3.50			133074-00720050	490	30			4000K - 3310lm - CRI>80							
						133074-39720050					3000K - 3145lm - CRI>80							
LED	white	2932	4.50			133075-00720050	750	45			4000K - 4410lm - CRI>80							
						133075-39720050					3000K - 4190lm - CRI>80							

**Lumen output with prismatic roll diffuser.

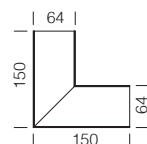




acc. 6085 corner module

white	132936-00
-------	-----------

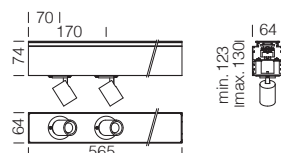
Allows for corner connections between suspended or ceiling-mounted Madrid fixtures



acc. 6086 "ALL LIGHT" corner module - 4W

white	132938-00
-------	-----------

Allows Madrid suspension or ceiling-mounted fixture to be installed around a corner; always use acc. 6075 to be purchased separately

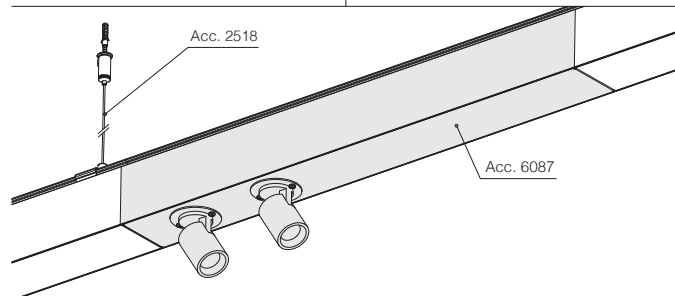
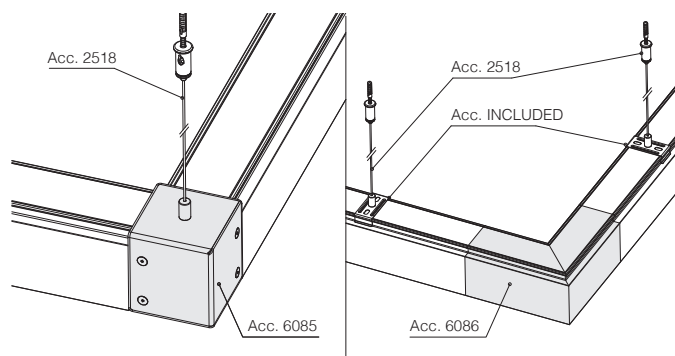


acc. 6087 module with SPOTLIGHT

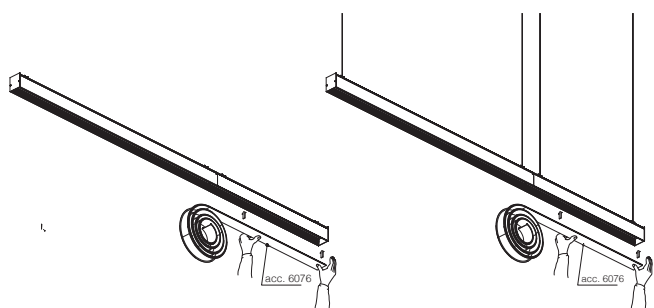
white	132942-00
10W - 2x550lm - 3000K - CRI 90 - 36°	

white	132942-68
10W - 2x577lm - 4000K - CRI 90 - 36°	

Module complete with Fosnova spotlight, series ARQ, always use with acc. 6075 to be purchased separately

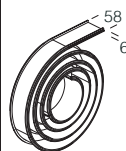


"ALL LIGHT" version with lengths on request and pass-through wiring with subcode **-0072** to be completed with acc. 6076 diffuser.



CEILING VERSION

SUSPENSION VERSION



acc. 6076 opal diffuser

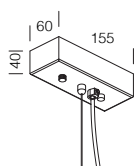
L = 50m	132916-00
---------	-----------

Opal polycarbonate roll must always be used on Madrid for continuous and uninterrupted "all light" lines. Upon request, UGR<19 prismatic roll is available.

acc. 6076 UGR<19 prismatic diffuser

L = 50m	132916-00002264
---------	-----------------

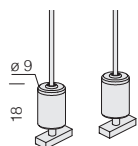
UGR<19 prismatic polycarbonate roll must always be used on Madrid for continuous and uninterrupted "all light" lines.



acc. 2522
electrified suspension

3P	white	994028-00
5P		998047-00

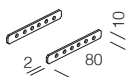
Supplied with steel wire (L = 100cm) and millimetre adjustment device and power cord. Max loading: 20Kg. 5P version for **EM** or **DIMM DALI** wiring.



acc. 2518
simple suspension

galvanized	994019-00
------------	-----------

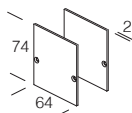
Supplied with steel wire (L=1,50m) and millimetre adjustment device (2pcs).



acc. 6075
junction brackets

132915-00

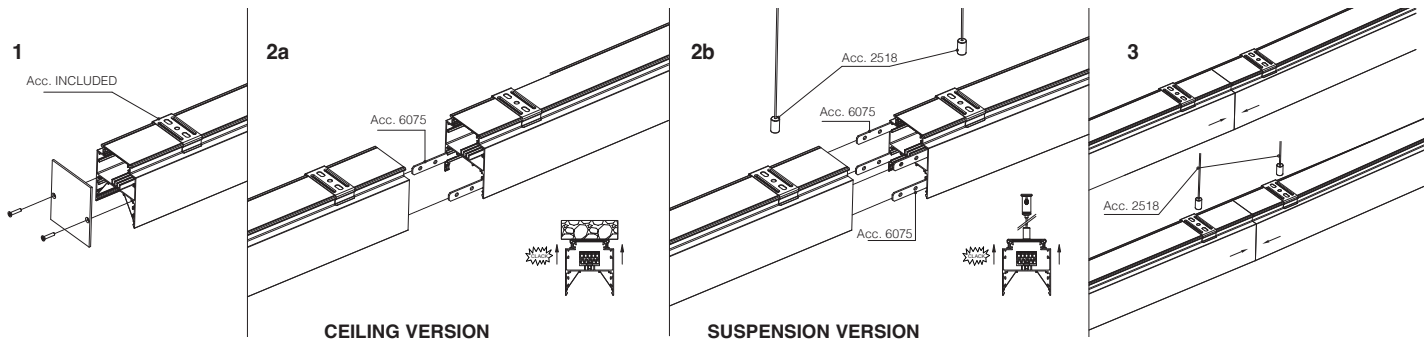
Utilize for the suspension/ceiling installation in continuous line of Madrid.

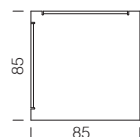
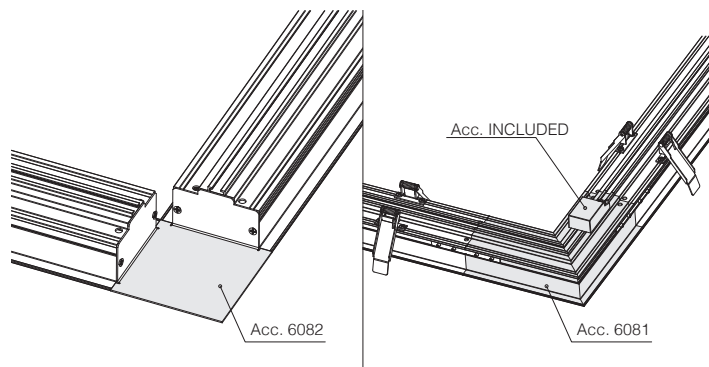


acc. 6072
end cap for "INFINITY"

white	132912-00
-------	-----------

To be used to close the two terminal ends. 2pcs

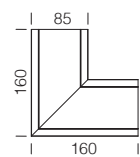




acc. 6082 corner module

white	132932-00
-------	-----------

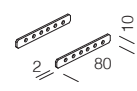
Allows for corner connections between recessed-mounted Madrid fixtures



acc. 6081 "ALL LIGHT" corner module - 4W

white	132934-00
-------	-----------

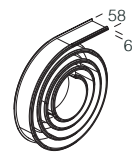
Allows Madrid recessed-mounted fixture to be installed around a corner; always use acc. 6075 to be purchased separately



acc. 6075 junction brackets

	132915-00
--	-----------

Utilize for the recessed installation in continuous line of Madrid E.



acc. 6076 opal diffuser

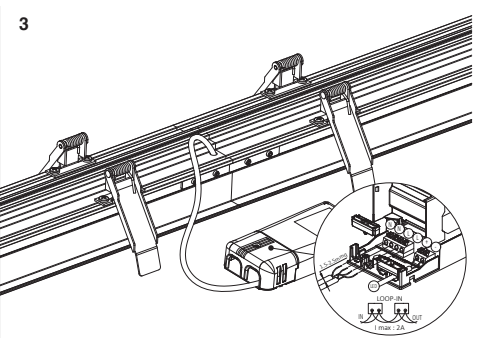
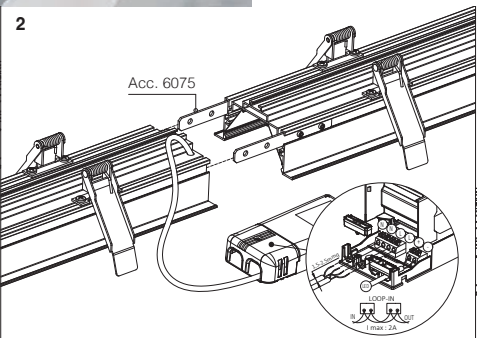
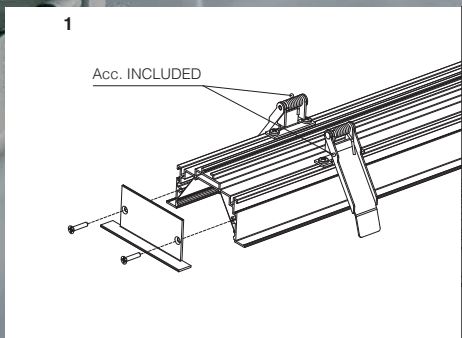
L = 50m	132916-00
---------	-----------

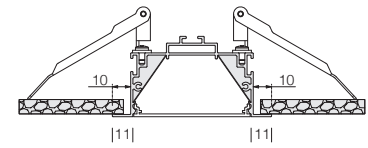
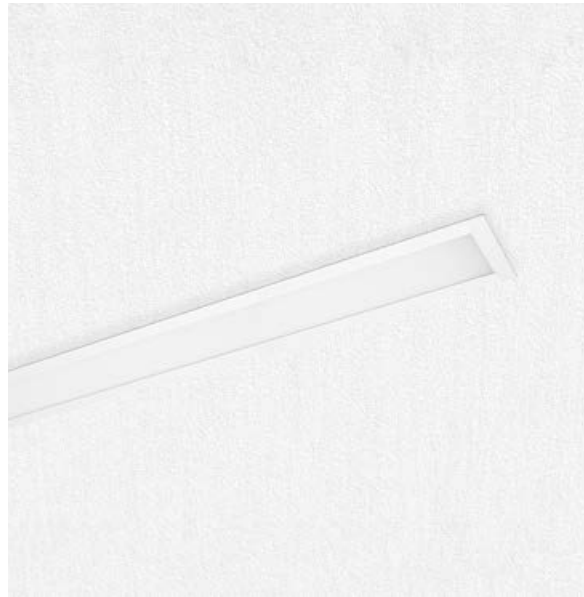
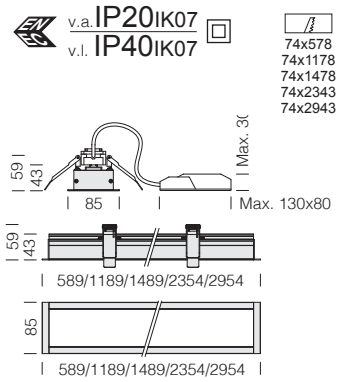
Opal polycarbonate roll must always be used on Madrid E for continuous and uninterrupted "all light" lines. Upon request, UGR<19 prismatic roll is available.

"ALL LIGHT" version with lengths on request and LOOP-IN wiring with subcode -52 to be completed with acc. 6076 opal diffuser.

Installation sequence:

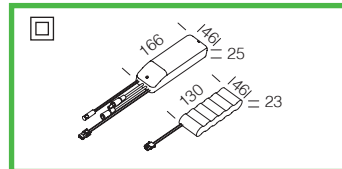
- 1) Unscrew the locking screws and remove the end cap.
- 2) Insert acc. 6075 junction bracket to be purchased separately.
- 3) Pair the luminaires until they are aligned, then tighten the locking screws.





6631 Madrid E - recessed - with opal diffuser

LED	housing	CLD				W tot	LUMEN OUTPUT (tq= 25 °C)		+ kit EM acc 600	% EM operation	
		L (mm)	weight	code	K - ølm - CRI		h	%			
LED	white	589	0.50	133029-00	11	4000K - 1070lm - CRI>80	986604-00	1h	38%		
		1189	0.90	133030-00			986604-31	3h	16%		
		1489	1.10	133031-00	32	4000K - 3346lm - CRI>80	986604-00	1h	16%		
		2354	2.00	133084-00			986604-31	3h	7%		
		2954	2.00	133084-00			986604-00	1h	13%		
						986604-31	3h	5%			
								986604-00	1h	9%	
								986604-31	3h	4%	



acc. 600 EM power kit

1h	986604-00
3h	986604-31

EM (emergency) lamp power kit complete with connectors. 0.43 Kg.



EM EC: with emergency wiring supplied by centralised power unit: permanent luminaire, with power supply unit operating in **AC/DC**, powered by a central emergency unit (NOT incorporated into the luminaire).

6631 Madrid E - EM EC - recessed - with opal diffuser

LED	housing	CLD EC				W tot	LUMEN OUTPUT (tq= 25 °C)	
		L (mm)	weight	code	K - ølm - CRI			
LED	white	2954	2.20	133085-00	60	4000K - 6000lm - CRI>80		



MADRID



Disano illuminazione S.p.A.
Viale Lombardia, 129
20089 Rozzano - Milano
centralino: 02 82 47 71
email: info@disano.it
customerservice@disano.it
web: www.disano.it

